



Server Performance Benchmark



ATTO Celerity™ 162E with MultiPath Director™ vs. Qlogic QLE2672 with Device Mapper

Overview

Performance testing in a Linux server environment was conducted to obtain comparative benchmarks of the ATTO Celerity 16Gb/s HBA with MultiPath Director and Qlogic 16Gb HBAs with Device Mapper. IOMeter measurement tool was used to capture the data presented in this comparison testing. Both host bus adapters were tested in 16 Gb/s Fibre Channel mode in the PCIe 3.0 slot of an Intel Grizzly Pass server with 2 XEON E5-2670 2.80 GHz processors running RHEL 6.3. The benchmarks were performed at transfer sizes ranging from 16KB to 8MB. These file sizes are common in large block streaming data environments as seen in Media & Entertainment, Oil & Gas, Medical Imaging and other "Big Data" environments

Results

Across the full range of transfer sizes tested, ATTO outperformed the competition in a Linux server environment by a sizable margin.

Figure 1 - Celerity 16Gb/s HBA with MultiPath Director vs Qlogic 16Gb/s HBA with Device Mapper (100% Writes)

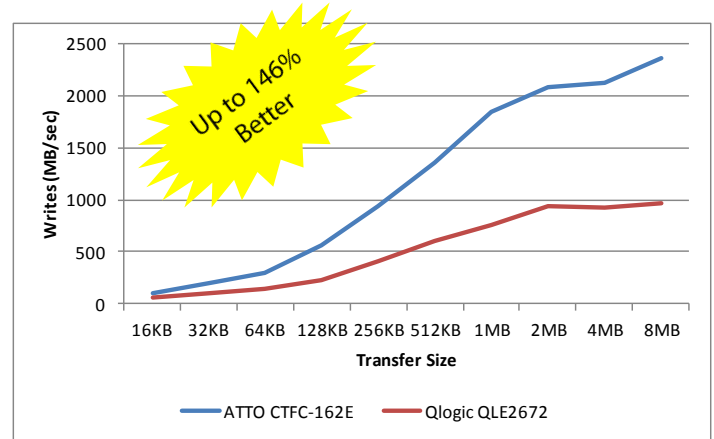
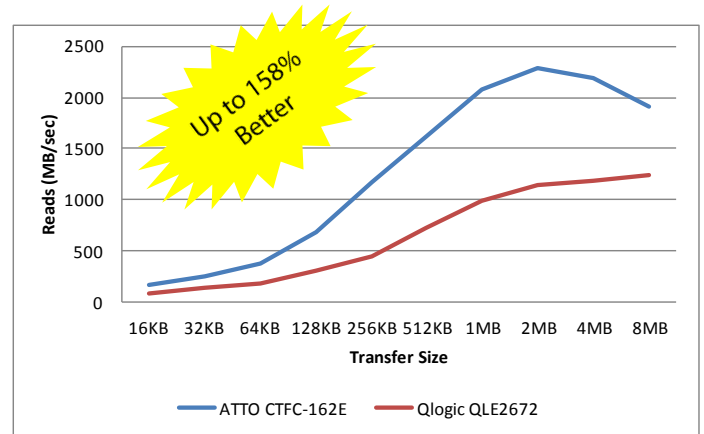


Figure 2 - Celerity 16Gb/s HBA with MultiPath Director vs Qlogic 16Gb/s HBA with Device Mapper (100% Reads)



Configuration

Test Tool

- Iometer server I/O performance storage measurement tool

Server Machine

- Intel Grizzly Pass
- 16GB Memory
- 2 XEON X5650 eight core 2.66GHZ processors
- ATTO Celerity Fibre Channel 162E or Qlogic QLE2672

Storage

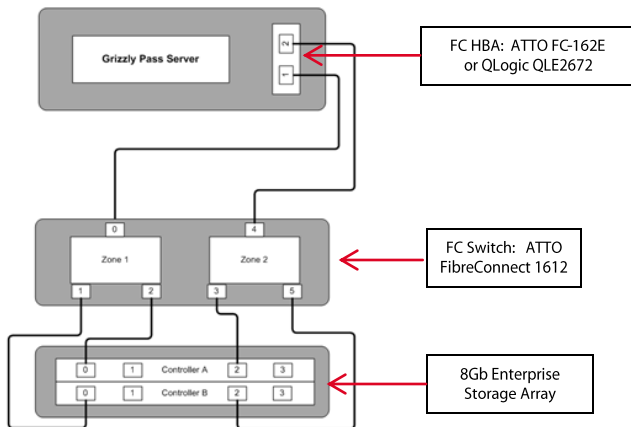
- 8Gb Enterprise Class Storage array with 2 controllers

Operating Platform

- RHEL 6.3

Connection

- ATTO FibreConnect 1612 16Gb/s Fibre Channel Switch
- ATTO Celerity FC-162E
- Qlogic QLE2672



Summary and Conclusions

ATTO's MultiPath Director is the world's only solution that allows direct connectivity to enterprise storage not just for servers, but also workstations. Exclusively available with ATTO's time-tested and proven Fibre Channel stack, quad, dual and single port Celerity 16Gb/s and 8Gb/s Fibre Channel adapters provide the highest throughput for large block streaming data applications.

MultiPath Director coupled with Celerity HBAs provides superior performance and increased productivity all while protecting your data through load-balancing & fail-over protection. With MultiPath Director you don't need to be an expert to install multipath protection from end to end in your SAN. Excellent performance under a wide range of conditions and application is the mark of a quality data connectivity product.