

# ATTO Benchmark Report with HP Storage P2000 G3 FC MSA

### Configuration #1: One Client with Dual Channel Host Adapter with Quantum StorNext

Storage System: HP Storage P2000 G3 FC MSA with 24 – 2.5” 300GB HP 6Gb SAS drives

Storage Expansion: HP Storage D2700 Disk Enclosure with 25 – 2.5” 72 GB HP 6Gb SAS drives

Fibre Channel HBA: ATTO Celerity 82EN dual channel 8Gb Fibre Channel, PCIe2.0 x8

Driver: 1.44MP  
Flash Bundle: osx\_fls\_celerity\_100728

Platform: Apple Mac Pro 5.1 running OS 10.7

### Setup

- Four RAID 5 groups in a 9+1 configuration
- RAID 5 Chunk size set to 64KB
- Two RAID 5 groups mapped to each controller on the P2000
- All 4 RAID 5 groups striped into one Stripe Group via StorNext – interleave of 256KB

### IOMETER Performance (StorNext File System)

Reads: 1579.03 MBPS  
Writes: 1489.45 MBPS

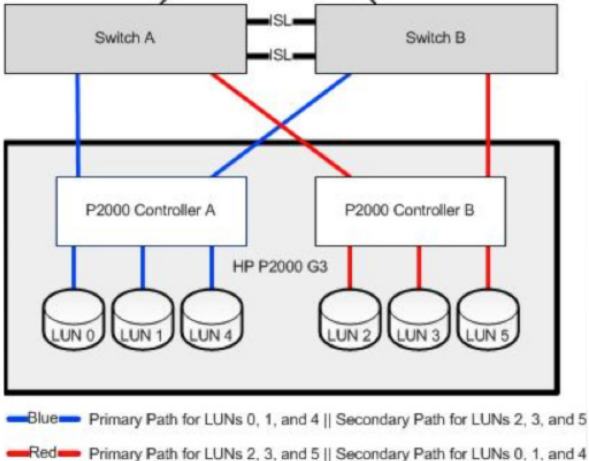
### AJA Disk Utility Performance (StorNext File System)

Reads: 1303.4 MBPS  
Writes: 951.5 MBPS

### AJA Video Stream Performance Calculator

Runs IO that simulates video and calculates the number of concurrent streams that can be run through a storage system.

- DVCPProHD 1080i60  
Reads: 36 streams  
Writes: 25 streams
- 1920 x 1080i (10-bit)  
Reads: 7 streams  
Writes: 5 streams
- 1920 x 1080 (10-bit RGB)  
Reads: 5 streams  
Writes: 3 streams
- 2048 x 1556 (10-bit RGB)  
Reads: 3 streams  
Writes: 2 streams



## Configuration #2: Two Clients with Dual Channel Host Adapter with Quantum StorNext

Storage System: HP Storage P2000 G3 FC MSA with 24 – 2.5” 300GB HP 6Gb SAS drives

Storage Expansion: HP Storage D2700 Disk Enclosure with 25 – 2.5” 72 GB HP 6Gb SAS drives

Fibre Channel HBA: ATTO Celerity 82EN dual channel 8Gb Fibre Channel, PCIe2.0 x8

Driver: 1.44MP

Flash Bundle: osx\_fls\_celerity\_100728

Platform: Apple Mac Pro 5.1 running OS 10.7

### Setup

- Four RAID 5 groups in a 9+1 configuration
- RAID 5 Chunk size set to 64KB
- Two RAID 5 groups mapped to each controller on the P2000
- All 4 RAID 5 groups striped into two Stripe Groups via StorNext – interleave of 256KB

### IOMETER Performance (StorNext File System)

Reads: 1791.1 MBPS

Writes: 1720.8 MBPS

### AJA Disk Utility Performance (StorNext File System)

Reads: 1782.4 MBPS

Writes: 1347.5 MBPS

## AJA Video Stream Performance Calculator

Runs IO that simulates video and calculates the number of concurrent streams that can be run through a storage system.

- DVCPProHD 1080i60  
Reads: 69 streams  
Writes: 34 streams
- 1920 x 1080i (10-bit)  
Reads: 9 streams  
Writes: 8 streams
- 1920 x 1080 (10-bit RGB)  
Reads: 7 streams  
Writes: 5 streams
- 2048 x 1556 (10-bit RGB)  
Reads: 3 streams  
Writes: 4 streams

