



# FastStream SC 7700 Quick Start Guide

ATTO Technology, Inc. *For details on mounting, physical connections and network configuration, refer to the Installation and Operation Manual on the CD packed with your FastStream™.*

## Unpacking the packing box; verifying contents

- The FastStream. Note the serial number of your FastStream unit: \_\_\_\_\_
- Power cord
- Brackets and screws for mounting into a 19" rack
- Ethernet cable
- RS 232 cable
- CD which includes the Firmware, Installation and Operation Manual, QuickNAV™ IP discovery program and system drivers

## Install the FastStream

- 1 Place the FastStream on a stable flat surface or install it into a standard rack.

If installing into a rack, see Exhibit 1:

- a. Attach the brackets to the FastStream enclosure.
- b. Install the FastStream horizontally within the rack so it does not reduce the air flow within the rack.

For the following steps, see Exhibit 2.

- 2 Connect the host computer to Fibre Channel port 1 or 2 using SFPs and multimode fiber optic cables.
- 3 Connect Fibre Channel devices from your SAN to the FastStream ports 3 and 4.
- 4 Add power to the devices.
- 5 Connect the Ethernet port to your network.
- 6 Connect the AC power cord from the FastStream to the proper AC source outlet.



### CAUTION

**The power source must be connected to a protective earth ground and comply with local electrical codes. Improper grounding may result in an electrical shock or damage to the unit.**

If installing into a rack:

- Properly ground the FastStream to the rack equipment. The earth ground connection must be maintained.
  - The power requirements plus the power draw of the other equipment in the rack must not overload the supply circuit and/or wiring of the rack.
- 7 Use the power switch to turn on power to the FastStream.

- 8 Wait up to two minutes for the FastStream Ready LED to light indicating the FastStream has completed its power-on self test sequence.
- 9 Windows® users continue to [Installing Windows drivers](#); Mac® users continue to [Discover the IP address](#).

## Installing Windows drivers

- 1 Windows automatically detects the FastStream and asks for the driver in the **Add Hardware** wizard. Select **Install from a list or specific location**.
- 2 Click **Next**.
- 3 Choose **Don't Search**.
- 4 Click **Next**.
- 5 Choose **Have disk**.
- 6 Specify the driver as found in the **PC** folder in the setup CD. The files are in a folder based on your operating system: Win2K drivers for Windows 2000 and Windows XP/2003 drivers for all 2003 Server products.



### Note

*Use the files directly from the CD or copy them onto a floppy or to a local directory on your hard drive.*

- 7 Follow the remaining instructions to complete the installation procedure.
- 8 After the driver is installed, FastStream is listed in the **System Devices** folder.

## Discover the IP address



### Note

*The FastStream is initially configured with DHCP enabled. It is best if you have access to a DHCP server.*

- 1 Work from the computer attached to the FastStream Ethernet port on the same subnet within the domain. From the CD supplied with your FastStream, run the QuickNav Utility **QuickNAV-windows.exe** for Windows or **QuickNAV-Mac** for Mac OS X.
- 2 Locate the FastStream with the serial number recorded earlier.
- 3 Highlight the serial number.
- 4 Click **Next**.

If a DHCP server is available on your network, an address is assigned automatically by the server. Note the assigned address:

If you do not have a DHCP server, get an IP address and subnet mask from your network administrator, type it into the area provided, and select **Next**.

- 5 Click on **Launch Browser**.

Your browser points to the ATTO ExpressNAV splash screen. If you use Internet Explorer as a browser, continue on to [Set up Internet Explorer](#) below. If not, continue on to [Begin initial configuration](#).

### Set up Internet Explorer

- 1 Open your browser.
- 2 Select **Internet Options**.
- 3 In the **Internet Options** screen, select the **Security** tab.
- 4 Click on the **Trusted Sites** icon.
- 5 Click on the **Sites** button.

- 6 In the text box **Add this Web site to the zone**, add the IP address of the appliance. You may use wild cards.
- 7 Click on **Add**.
- 8 Uncheck the **Require server verification** check box.
- 9 Click **OK**.
- 10 At the bottom of the **Internet Options** box, click on **OK** and close the box.

### Begin initial configuration

- 1 The ExpressNAV interface welcome screen appears. Click on **Enter Here**.
- 2 Type in the user name and password.

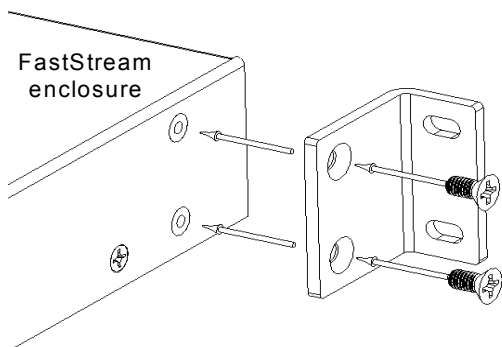


Note

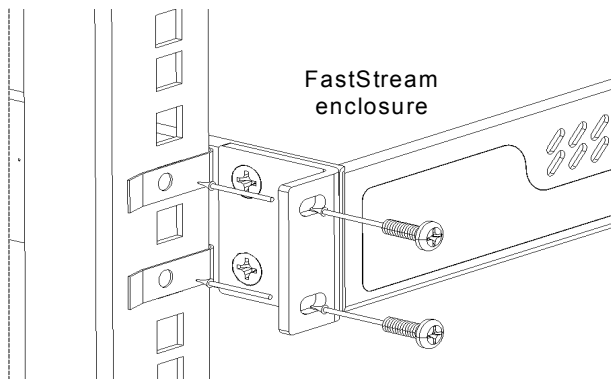
The default user name is **root**; it is case insensitive. The default password is **Password**; it is case sensitive. It is best practice to change the passwords.

- 3 Initialize drives and set up RAID groups using the wizards provided in ExpressNAV. Refer to the Installation and Operation Manual for details.

Exhibit 1 One view of how to connect the FastStream into a rack: brackets may be mounted on either the front or the connector sides of the FastStream.



a. Attach brackets to both sides of the FastStream enclosure using brackets and screws supplied by ATTO.



b. Attach the enclosure/bracket assembly to the rack using the screws needed for your rack.

Exhibit 2 Detail of the connector side of the FastStream enclosure.

