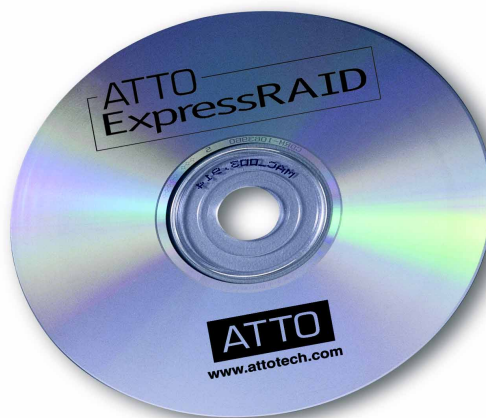


ATTO RAID Software

ATTO Software



RAID Levels 0 & 1, Disk Utilities, Disk Diagnostics and Benchmarking Software

ATTO ExpressRAID is a disk storage application that provides disk striping (RAID 0), disk mirroring (RAID 1), and benchmarking software. These powerful tools allow Windows® and Mac® users to enhance the performance of attached SCSI and Fibre Channel storage.

ATTO ExpressRAID allows you to easily create new RAID arrays, set parameters and measure performance in a few quick steps. RAID 0 functionality enables the creation of an ultra fast virtual drive by the striping of data across several drives at the same time. RAID 1 capabilities protect data by writing it to separate drives simultaneously.

Features such as fewer I/O's, selectable interleave sizes, and the storage of striping information on drives versus the registry creates enhanced performance over Windows NT RAID.

TECHNICAL HIGHLIGHTS

- PC and Mac® compatible
- Supports IEEE 1394 FireWire standard using a SCSI interface module (SIM)
- Easily create and manage RAID arrays in a few easy steps
- Exclusive auto detection feature allows fast drive installation
- Optimize hard drive mode page settings to increase performance

ATTO

ATTO Technology, Inc.
attotech.com

155 CrossPoint Parkway • Amherst, NY 14068 • 716.691.1999

ATTO RAID Software

Software Specifications

Features:

- Striping information stored on the drives, not in the OS. Same stripe group can be shared among many different PCs
- Easy to install and use
- Optimized for ATTO ExpressPCI host adapters
- One stop hard drive mode page optimization for Digital Video (DV) and prepress
- Large volume support up to 2 Terabytes per volume
- Selectable interleave sizes
- Supports Ultra/WIDE, Ultra2 (LVD) and Ultra3 SCSI
- Fibre Channel support
- SCSI Manager 4.3 support
- Supports IEEE FireWire standard using a SCSI interface module (SIM)
- Support for tagged command queuing
- Low level format several drives simultaneously
- Allows users to boot off of an external RAID group

RAID 0 (PC and Mac® OS): (Figure 3)

- Supports stripe groups on removable drives
- Supports overlapped seeks
- Enables fast parallel transfers

RAID 1 (Mac OS Only):

- ExpressWatch™ background monitoring
- Foreground or background rebuild
- 100% data availability
- Real-time data backup for full fault tolerance

Disk Utilities:

- Disk formatter
- Volume management (Figure 1)

Benchmarking: (Figure 2)

- Sustained read/write
- Graphical display of results

System Requirements

For Mac:

- ATTO ExpressPCI host adapter
- For RAID compatibility, two or more hard drives
- Mac OS 7.5.2 for PCI or greater (excluding Mac OS X)

For PC:

- ATTO ExpressPCI host adapter
- Windows® 2000, Windows 95/98, Windows NT or MS DOS
- For RAID compatibility, two or more hard drives

For FireWire:

- Indigita FireSCSI SIM

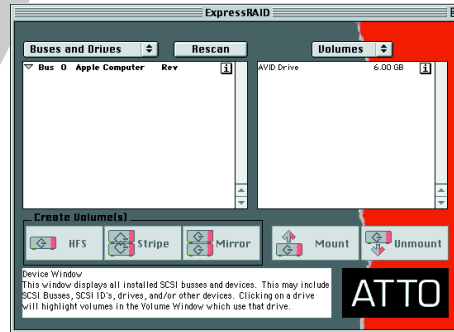


Figure 1: Example of main page GUI

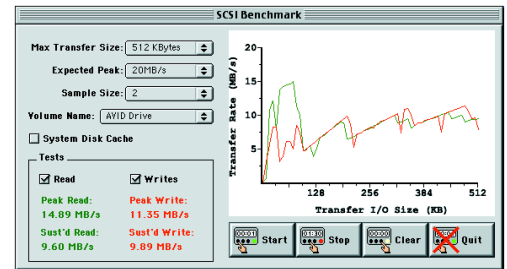


Figure 2: Example of benchmarking

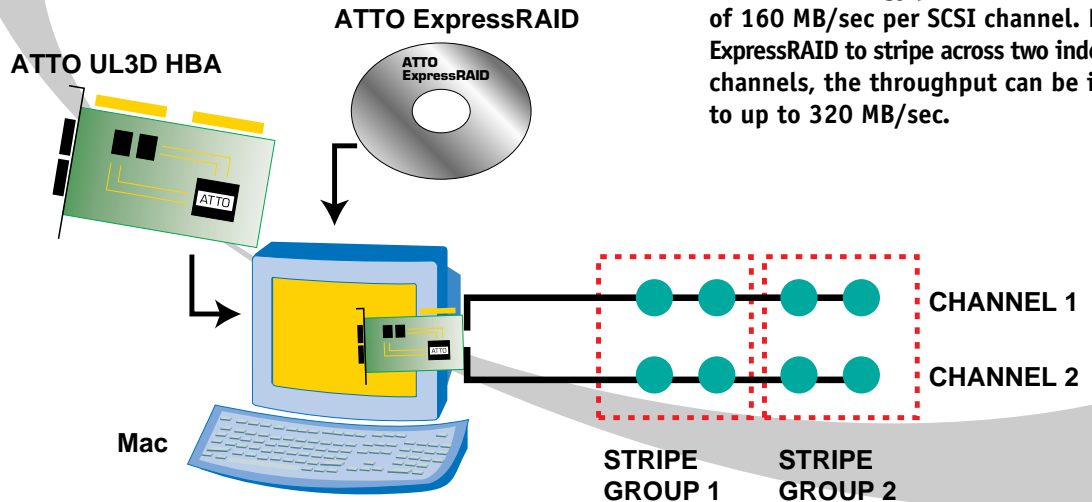


Figure 3: Example of striping

Ultra3 technology provides for a maximum of 160 MB/sec per SCSI channel. By using ExpressRAID to stripe across two independent channels, the throughput can be increased to up to 320 MB/sec.

ATTO Software