

# ATTO FibreBridge™ 1180D



## Easily Integrated Fibre Channel-to-SCSI Bridge

*The ATTO FibreBridge™ 1180D is a desktop Fibre Channel-to-SCSI bridge featuring one (1) Fibre Channel port with a 1-Gigabit DB9 copper connector and one (1) Ultra2 SCSI port. It provides a cost-effective connectivity solution that can be easily integrated with SCSI devices for direct connection into a Fibre Channel Storage Area Network (SAN).*

*ATTO's intelligent Bridging Architecture™ offers a unique combination of features that gives manufacturers the ability to embed customized value into their products.*

## TECHNICAL HIGHLIGHTS

- One 1-Gigabit Fibre Channel port by one independent Ultra2 SCSI bus
- 80 MB/sec. maximum throughput
- Support for SNIA Extended Copy
- RS-232 and Fibre Channel In-band configuration, monitoring and management
- Full support for direct connect to F-port fabric switches
- Stackable desktop enclosure

Fibre Channel

ATTO

ATTO Technology, Inc.  
attotech.com

155 CrossPoint Parkway • Amherst, NY 14068 • 716.691.1999

# ATTO FibreBridge™ 1180D

## Fibre Channel and SCSI

### Fibre Channel Interface:

- 1-Gigabit (200 MB/sec. in full-duplex mode)
- One (1) copper DB9 port
- Full support for direct connect to F-port fabric switches
- Class 2, Class 3 ANSI Fibre Channel specifications
- PLDA, public loop login (NL\_ports) and fabric direct connect (N\_port)
- Full-duplex transmissions

### SCSI Interface:

- One (1) 68-pin SCSI connector
- LVD Ultra2 SCSI - 80 MB/sec. max.
- Backward compatible with all Single-Ended SCSI devices
- 128 LUNs per channel

### Performance:

- Up to 3,500 I/Os per sec.
- 80 MB/sec. maximum data-transfer rate
- Up to 72 MB/sec. sustained data-transfer rate

### Fibre Channel Compliance:

- ANSI FC-AL
- SNIA Extended Copy
- Class 2, Class 3

## Management

### Device Management Physical Interface:

- In-band (through Fibre Channel)
- Serial through RS-232 port

### Device Management User Interface:

- Command Line Interface (CLI)
- ATTO BridgeTools™ Java-based application

### LEDs:

- Power
- Ready
- FC activity
- SCSI bus activity

## Environmental and Physical Characteristics

### Dimensions:

- 7.50" W
- 10.00" L
- 2.03" H

### Operating Environment:

- Temperature: 0 - 40° C
- Humidity: 0-90% non-condensing

### Power:

- Input: 100/240 VAC (automatic)
- Rated: 90 - 132 VAC; 175 - 264 VAC, 47 - 63 Hz, single phase

### Configuration:

- Desktop

### Airflow:

- Internal fan provides 10 CFM
- Ambient air not to exceed 40° C

## Other

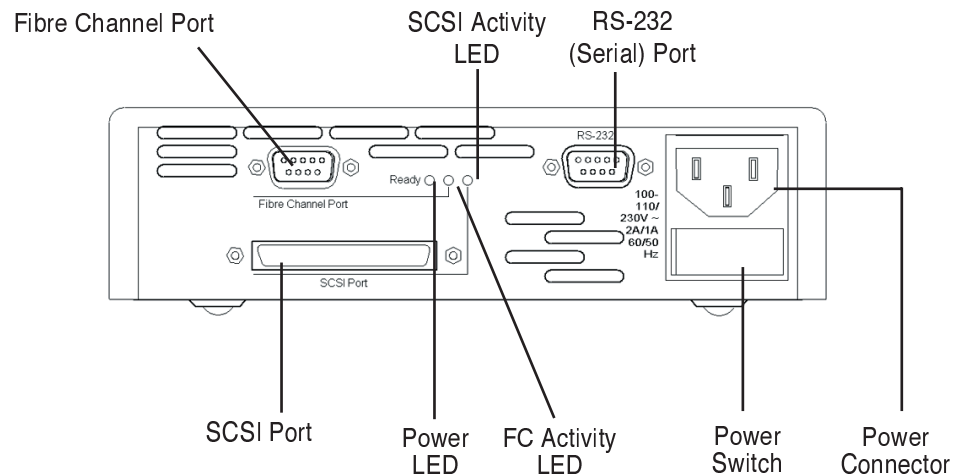
### Operating Systems Supported:

- Operating system independent

### Agency Certifications:

- FCC Class A
- CE (EN55022/EN55024)
- CSA / EN60950

Figure 1: Rear Panel



# Fibre Channel