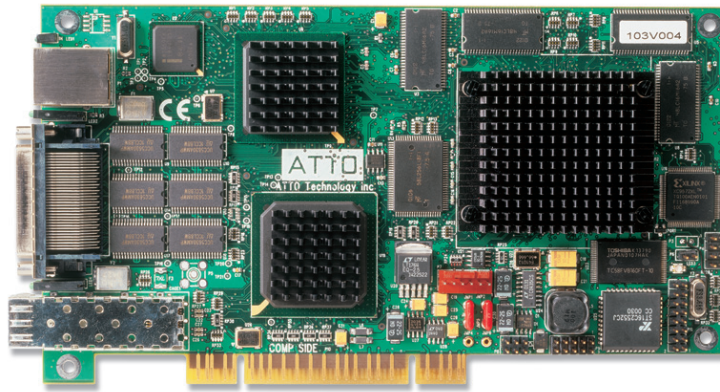


ATTO FibreBridge™ 1290E



2-Gigabit Fibre Channel-to-SCSI Bridge for easy integration in PCI card form factor

The ATTO FibreBridge™ 1290E is an embeddable Fibre Channel-to-SCSI bridge featuring one (1) Fibre Channel Port with (2) Ultra160 SCSI ports. For entry- to mid-range capacity storage media vendors who require 2-Gigabit performance, the 1290E provides a compact solution with a ready-to-integrate interface for a wide range of applications. The 1290E enables SCSI-based storage media vendors to easily integrate the benefits of Fibre Channel and application support (i.e. serverless backup and FCP-2) without having to modify existing enclosures or systems. Proprietary to ATTO and built into every FibreBridge is intelligent Bridging Architecture™. This unique combination of features offers manufacturers the ability to embed customized value into their products.

TECHNICAL HIGHLIGHTS

- One 2-Gigabit Fibre Channel port by two (2) Ultra160 SCSI busses
- 400 MB/sec. maximum throughput
- Support for FCP-2 Fibre Channel specification
- Support for SNIA Extended Copy
- RS-232, Ethernet and Fibre Channel in-band configuration, monitoring and management
- Full support for direct connect to F-port fabric switches
- Small industry standard form factor

Fibre Channel

ATTO

ATTO Technology, Inc.
attotech.com

155 CrossPoint Parkway • Amherst, NY 14068 • 716.691.1999

Fibre Channel and SCSI

Fibre Channel Interface:

- 2-Gigabit (400 MB/sec. in full-duplex mode)
- Backward compatible with 1-Gigabit devices
- One (1) SFP (Small Form Factor Pluggable) port
- Full support for direct connect for F-port fabric switches
- Class 2, Class 3 and Intermix ANSI Fibre Channel Specifications
- PLDA, public loop login (NL_port) and fabric connect (N_port)
- Full-duplex transmissions

SCSI Interface:

- Two (2) independent VHDCI 68-pin SCSI connectors
- LVD Ultra160 SCSI – 160 MB/sec. max per bus
- Backward compatible with all Single-ended SCSI devices
- 128 LUNs per channel

Performance:

- Up to 5000 I/Os per sec.
- Up to 160 MB/sec. sustained data-transfer rate
- Memory: 128 MB of SDRAM for advanced data buffering and performance
- Supports Tagged Command Queuing
- Support for 4 concurrent XCOPY commands

Fibre Channel Compliance:

- ANSI FC-AL
- SNIA Extended Copy
- Class 2, Class 3 and Intermix
- FCP-1 and FCP-2 Fibre Channel Specifications

Management

Device Management Physical Interface:

- In-band (through Fibre Channel)
- Serial through 10-pin serial headers
- Network through 10/100 BaseT Ethernet Port (Telnet, FTP and SNMP)

Device Management User Interface:

- Command Line Interface (CLI)
- ASCII-based menu system
- ATTO ExpressNAV™ web-based integrated management console
- Performance reporting and Error Logging (CLI commands)

LEDs:

- FC Activity
- 2-Gigabit Operation
- SCSI Activity Port 1, 2
- Ready

Environmental and Physical Characteristics

Dimensions:

- 4.450" W
- 7.600" L

Operating Environment:

- Temperature: 5 - 40° C
- Humidity: 10 - 90% non-condensing
- User configurable integrated thermal sensor data for auto shutdown
- Default: 70° C (max)

Power:

- Input 6-pin: Max 1.5A @ 12V
Max 0.5A @ 5V
20.5 Watts

PCI connector: Max: 3.5@5V
17.5 Watts

- Power through PCI card form factor or 6-pin power connector (standard 4-pin connector available)

Configuration:

- Single (embedded) PCB

Airflow:

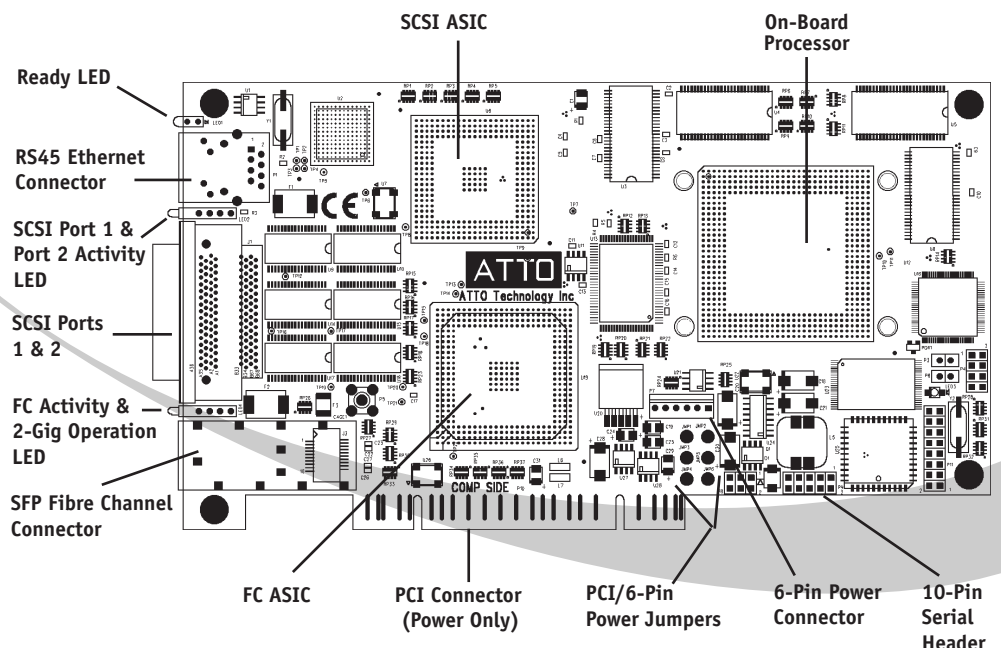
- Recommended 200 LFM
- Ambient air not to exceed 40°C

Other

Operating Systems Supported:

- Operating system independent

Figure 1 - FibreBridge 1290E



Fibre Channel