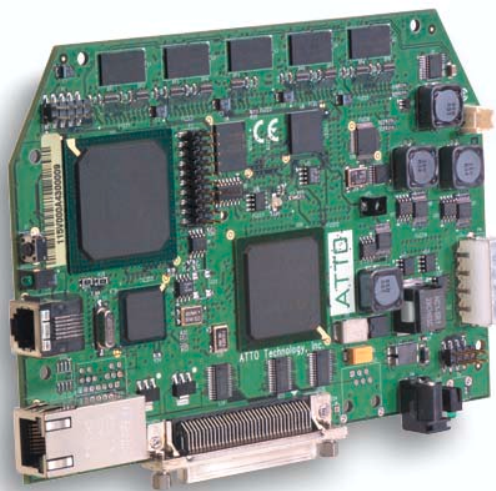


ATTO iPBridge™ 1500E



iSCSI-to-SCSI Bridge for Cost-effective IPSAN Connectivity

Take advantage of today's revolution in storage connectivity. Embed a value-add platform in your products for easy connectivity to an Ethernet network.

ATTO's iPBridge™ 1500E supports GigE and SCSI devices in an IP SAN topology. Uniquely designed to support the IP SAN needs of today's Small and Medium Businesses and Enterprises (SMB / SME), the iPBridge optimizes connectivity and management by utilizing ATTO's proven intelligent Bridging Architecture™.

The ATTO iPBridge™ 1500E is designed for easy integration, and offers broad market acceptance through leading ISV certifications and support for leading iSCSI protocols, allowing for storage devices such as hard drives, tape drives and libraries, and CD jukeboxes to easily attach to IP networks.

TECHNICAL HIGHLIGHTS

- One independent Gigabit Ethernet port to one independent Ultra160 SCSI port
- Compatible with all leading iSCSI initiators
- Gigabit Ethernet connectivity auto negotiates to 10/100 Ethernet
- Designed to the IETF Industry Standard iSCSI Protocol v1.0
- 30 MB/sec. throughput
- Features intelligent Bridging Architecture for optimized performance
- ExpressNAV™ integrated management console for remote configuration, management and diagnostic capabilities
- Supports all SCSI devices including hard disk drives, tape drives, RAID controllers, DVD, MO & CD libraries

IP
S
t
o
r
a
g
e

ATTO

ATTO Technology, Inc.
attotech.com

155 CrossPoint Parkway • Amherst, NY 14068 • 716 • 691 • 1999

ATTO iPBridge™ 1500E

Gigabit Ethernet and SCSI

GbE Interface:

- 10/100/1000 GbE RJ45 Ethernet port
- Supports IP v.4
- Supports iSCSI Protocol 1.0
- Compliance with IEEE 802.3ab GbE
- Compliance with IEEE 802.3x Flow Control
- SNMP MIB 2 support
- Supports Jumbo Ethernet frame

SCSI Interface:

- Single 68-pin SCSI connector
- Ultra160 LVD SCSI – 160 MB/sec. maximum throughput
- Backward compatible with all single-ended SCSI devices
- Supports SCSI-3 specifications

Management

Operating Environment:

- Operating system independent
- Supports all SCSI devices including hard disk drives, tape drives, RAID controllers, DVD, MO and CD libraries
- Multiple interface orientations available - Ethernet and RS232 ports can be located on either the long edge or short edge of the board (see Figure 2 and 3)

Local and Network Management:

- ExpressNAV™ integrated management console for remote configuration, management and diagnostic capabilities
- Command line management access via Ethernet and RS232
- Local diagnostics supported through SNMP, Telnet, and FTP
- Includes support for DHCP, ICMP, and RMON
- Built in memory has ECC detection and correction
- User accessible reset switch
- Built in watchdog timer
- Automatically detects and maps all connected devices at power on

Environmental and Physical Characteristics

Configurations:

- Embedded Board

Dimensions:

- Embedded Board:
4.4" W X 6.4" L

Operating Environment:

- Operating Temperature: 5-40° Celsius

Power: Standard 4pin power connector, 12V, 1.5A

Nominal power consumption: 1A @ 12V

Weight: 1.5 lbs

Figure 1 – iPBridge 1500E Board Detail

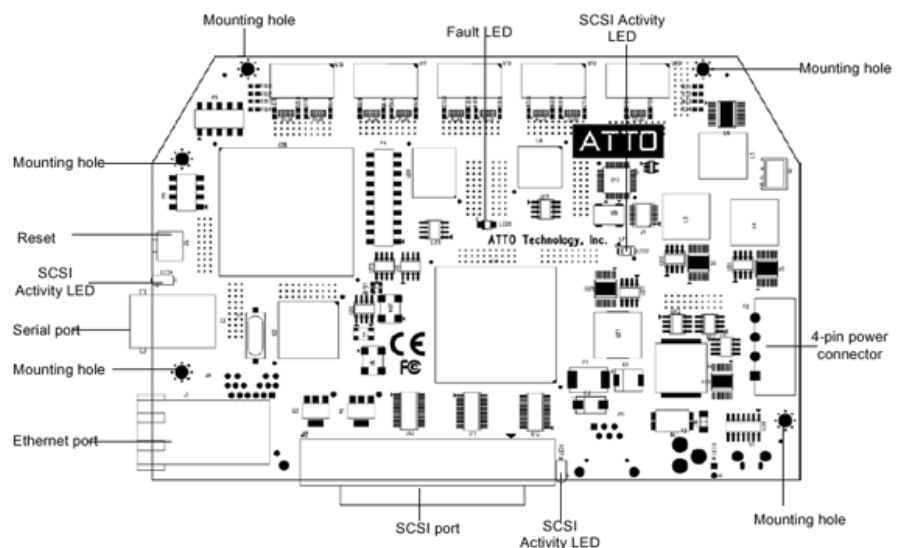


Figure 2 – iPBridge 1500E Standard Embedded Configuration

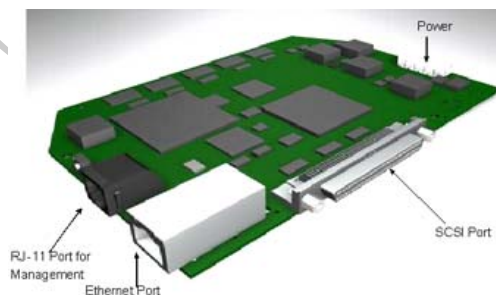


Figure 3 – iPBridge 1500E Optional Desktop Configuration

