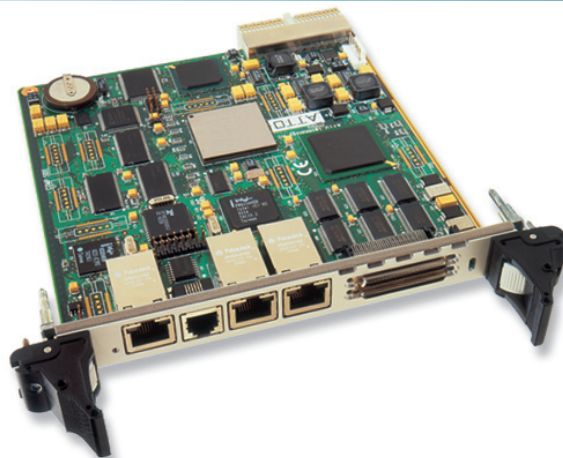


ATTO iPBridge™ 2500C



Gigabit Ethernet-to-SCSI Bridge featuring management and connectivity to iSCSI applications

For mid-range capacity tape drive OEMs who need iSCSI protocol support, the iPBridge™ 2500C provides a compact embeddable solution that allows it to be installed in a wide range of drive enclosures. Uniquely designed to support the high throughput needs for applications that require streaming data transfers (data backup), the ATTO iPBridge 2500 optimizes performance by utilizing ATTO's proven intelligent Bridging Architecture™. The ATTO iPBridge 2500 supports the iSCSI protocol, maximizing application, system and network configuration flexibility and support, making it ideal for iSCSI SAN environments.

TECHNICAL HIGHLIGHTS

- Triple Gigabit Ethernet Ports with RJ45 connectors
- Dual Ultra3 LVD/SE SCSI busses with VHDCI 68-pin "P" connectors
- Support for iSCSI protocol standards
- Configuration, Management and Monitoring via RS232 or independent Ethernet ports
- Available as a standard compactPCI embedded board-level product
- Features intelligent Bridging Architecture™ for optimized performance

I
P
S
T
O
R
A
G
E

ATTO

ATTO Technology, Inc.
attotech.com

155 CrossPoint Parkway • Amherst, NY 14068 • 716 • 691 • 1999

ATTO iPBridge™ 2500C

Gigabit Ethernet and SCSI

GbE Interface:

- Triple independent 100/1000 GbE RJ45 Ethernet ports
- Supports IP v.4
- Compliance with IEEE 802.3 GbE
- Compliance with IEEE 802.3 Flow control
- SNMP MIB 2.2 support
- Supports Microsoft iSCSI Initiator

SCSI Interface:

- Dual independent 160 MB/sec. Ultra3 LVD/SE SCSI bus ports
- SCSI block level data encapsulation in iSCSI transport
- Controlled backup, recovery and data transfer for network storage
- Backward compatible with all single-ended SCSI devices
- Upgradeable large MB RAM Memory for advanced data buffering and performance

Management

Operating Environment:

- Operating system independent
- Supports all SCSI devices including hard disk drives, tape drives, RAID controllers, DVD, MO & CD libraries

Local and Network Management:

- Integrated web server for remote configuration, management and diagnostic capabilities
- Local diagnostics supported through CLI, SNMP, Telnet, FTP and SCSI Enclosure Services (SES)
- Command line and menu-based ASCII text management access via Ethernet
- Support for RS-232 access via RJ-11 interface
- MultiTarget Mode allows each SCSI device to have its own iSCSI Target name
- Multiple levels of password protection

Fault/LED

RJ-45 Gigabit Ethernet Connector

RJ-11 Serial Port

RJ-45 Gigabit Ethernet Connectors

Gigabit Ethernet Port Controller

SCSI Ports 0,1

SCSI Activity 0,1

LEDs:

- Ethernet link and activity
- SCSI activity
- Fault

Environmental and Physical Characteristics

Configurations:

- Single (embedded) PCB
- Desktop enclosure with rack mount kit

Dimensions:

- Embedded Board:
6.193" W x 6.375" L
- Rack/Desk Enclosure:
1.7" (1U) H x 17"W x 8.94" L

Operating Environment:

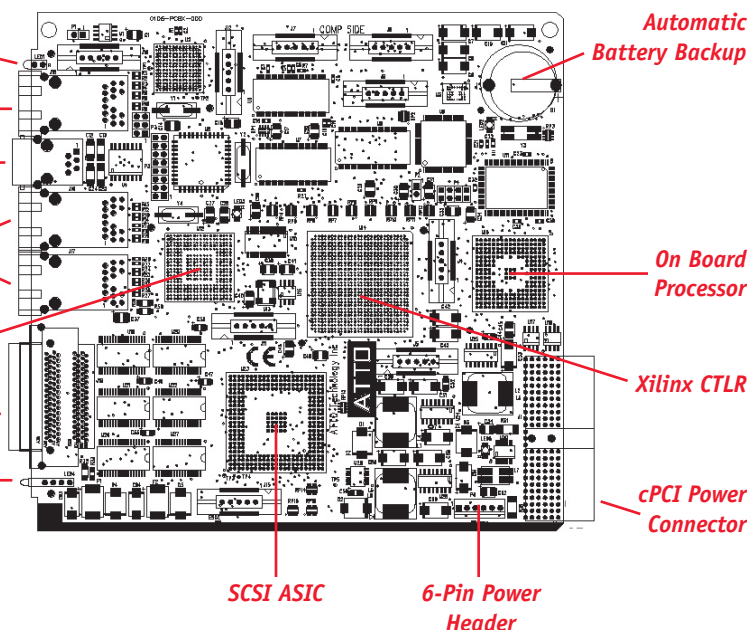
- Operating: 5-40° Celsius
- Temperature: user configurable integrated thermal sensor data for automatic shutdown
Default 70° Celsius
- Air Flow: Recommended 11 CFM
Ambient Air not to exceed 40° Celsius
- Humidity: 10-90% non-condensing

Power:

- Embedded:
0.8A@ 12V, 0.3A@ 5V, 5.0A@ 3.3V
18 Watts

Weight:

- 8 lbs (Rack/Desk model)



I P S t o r a g e