



CORVAULT BENEFITS

- Effortlessly deploy petabyte storage
- Lower TCO with maximum space utilization
- The most-efficient petabyte-capacity block storage
- Minimize Infrastructure costs and reduce data center carbon footprints
- Superior data availability, durability and performance
- Seagate Autonomic Distributed Allocation Protection Technology (ADAPT)
- Seagate Autonomous Drive Regeneration (ADR)



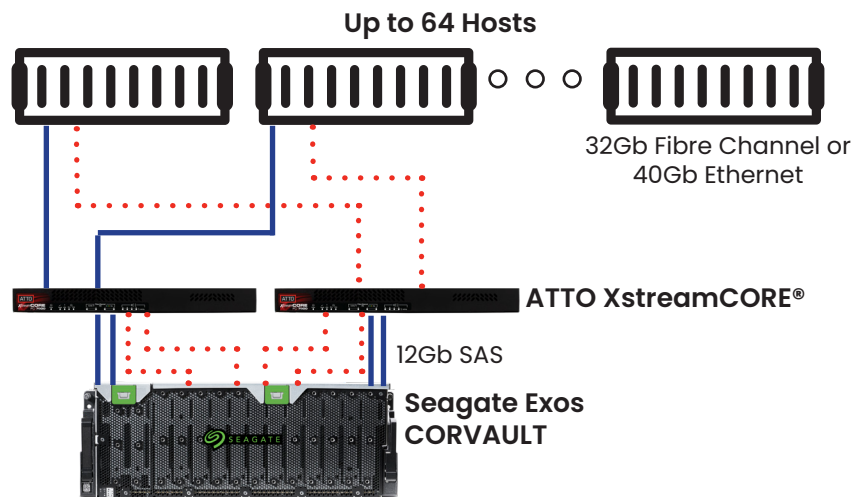
XSTREAMCORE BENEFITS

- Networked Storage – connects SAS storage to Fibre Channel or iSCSI/ iSER
- Easily share across multiple hosts (up to 64)
- Map drives to individual hosts
- Long distance connectivity
- Highly scalable architecture
- Diagnostic capabilities
- Simple setup & configuration
- Negligible added latency

Now You Can Connect Seagate Exos® CORVAULT™ to Any Fibre Channel or iSCSI/iSER SAN Easily with ATTO XstreamCORE® Certified Solutions

Background

Seagate and ATTO have certified a solution to expand the host connectivity capabilities of CORVAULT to Fibre Channel and iSCSI/iSER. Seagate Exos® CORVAULT™ is a high-performing, efficient, durable multi-petabyte capacity block storage system that is self-healing and brings five-nines availability to scale out storage for data center deployments. CORVAULT employs two active-active redundant controllers as the input to the petabytes of self-encrypting, self-healing drives. Each controller has four 12Gb SAS-3 ports for Direct Attach data IO to up to four servers in a redundant configuration.



Networked Configuration - Share Exos CORVAULT LUNS TO UP TO 64 servers over long distance

For data center environments based on a Fibre Channel or Ethernet server/storage infrastructure, an ATTO XstreamCORE® intelligent Bridge product can be used to increase the connectivity. These are accelerated protocol conversion devices that features I/O acceleration and offload technologies that enable the benefits of shared storage but at direct attached storage speeds. Each 1U XstreamCORE will allow a maximum of 64 local or remote hosts to connect to the CORVAULT. The drives respond as if directly connected to the hosts.

Add Fibre Channel Connectivity

Designed to disaggregate storage, ATTO XstreamCORE FC 7600 allows SAS storage systems to attach to a Fibre Channel SAN using dual 32Gb ports. Exos CORVAULT can now easily connect and be shared with up to 64 Fibre Channel hosts over long distance Storage Area Networks. Two XstreamCOREs can be used for redundant connections between the SAN and COREVAULT.

Whether the connectivity is Ethernet or Fibre Channel, the XstreamCORE allows you to easily map Exos CORVAULT Storage to one or more hosts - and remap if necessary due to failures or maintenance downtime using the command line interface or the XstreamVIEW web-based management console. ATTO XstreamCORE also includes Advanced Error Recovery technology. Save time and money during installs and troubleshooting with advanced monitoring and diagnostic capabilities. A persistent time-stamped event log can gather over 40,000 software, hardware and network events.

Seagate Exos CORVAULT was designed for disaggregated storage solutions. Paired with ATTO XstreamCORE, you can now easily pull the storage out of the servers, pool it together and share it across multiple servers using Fibre Channel, iSCSI or iSER.

Add iSCSI/iSER Connectivity Over Ethernet

Data centers are experiencing a rapid shift towards Ethernet-based storage solutions. The flexibility of Ethernet, lower cost components and ability to use existing data center infrastructure as well as IT personnel are driving the push towards Ethernet. Connecting XstreamCORE 8200 in front of CORVAULT allows IT administrators to move forward with greater versatility by designing unique, highly scalable Ethernet-based storage architectures using the iSCSI or iSER (iSCSI Extensions for RDMA using RoCE V2) protocols. The exclusive ATTO xCORE™ acceleration engine implements the entire TCP/IP stack in hardware without CPU intervention. Designed for deterministic latency, the result is hardware-accelerated iSCSI with less than two microseconds of added latency.

About ATTO

For over 35 years, ATTO Technology, Inc. has been a global leader specializing in network and storage connectivity and infrastructure solutions for the most data-intensive computing environments. ATTO works closely with its partners to create the world's best end-to-end data delivery, management and storage solutions. ATTO manufactures host adapters, SmartNICs, storage appliances and controllers, intelligent bridges, Thunderbolt™ adapters, and software. ATTO solutions enable high-performance connectivity to all storage interfaces, including Fibre Channel, SAS, SATA, iSCSI, Ethernet, NVMe and Thunderbolt. ATTO is the Power Behind the Storage.



About Seagate

Seagate Technology is the leading innovator of mass-capacity data storage solutions. We create breakthrough technology so you can confidently store your data and easily unlock its value. Founded over 45 years ago, Seagate has shipped over four billion terabytes of data capacity and offers a full portfolio of storage devices, systems, and services from edge to cloud.